



# ASPECTRA™

CONTOURS

Featuring  ISOCORE Technology™



## PROFESSIONAL INSTALLATION MANUAL FOR **ASPECTRA CONTOURS** MULTILAYER MODULAR PRODUCTS

100% WATERPROOF  
COMMERCIAL FLOATING LUXURY VINYL FLOOR

Revised 12/15/2019

This document supersedes all printed and electronic installation documents previously distributed for Aspectra Contours multilayer modular products.



## GET TO KNOW ASPECTA™ MULTILAYER MODULAR PRODUCTS FEATURING ISOCORE TECHNOLOGY™

- Aspecta multilayer modular products are intended for interior commercial use only and are suitable for above-grade, on-grade and below-grade applications. However, Aspecta should not be installed in locations where the substrate beneath the building structure is exposed to the elements.
- Aspecta multilayer modular products are to be installed as a floating floor system and must be free to move as a whole sheet in response to changes in temperature. It must not be glued, nailed, or fastened to the substrate, walls or fixed to any part of the building structure. Install permanent fixtures such as walls, partitions, shelving, cabinets, displays, counters, tracks for transition profiles and similar items first, then fit Aspecta around them, leaving a space for expansion and contraction. Fill expansion spaces around potentially wet areas with premium waterproof 100% silicone sealant. Always remove standing water, pet urine and other liquids promptly.
- Direct sunlight may cause Aspecta multilayer modular products to fade or to expand, causing the floor to buckle or separate. Protect Aspecta from direct sunlight using window treatments or UV tinting on windows. Aspecta multilayer modular products are not recommended for use in sunrooms.
- Aspecta multilayer modular flooring is a waterproof floating floor, but it should not be used to seal an existing floor from moisture. It cannot inhibit the growth of mold or prevent structural problems associated with, or caused by flooding, excessive moisture, alkalis in the substrate, or conditions arising from hydrostatic pressure. Regardless of location, always remove standing water, urine and other liquids promptly. *Jobsite moisture issues must be addressed and corrected prior to installation.*





# PRE-INSTALLATION ESSENTIALS

*Your job will be smooth, fast and easy when you follow the essentials every time you install Aspecta multilayer modular flooring featuring ISOCORE Technology.*

## EVALUATE THE JOB SITE

---

### EXTERIOR

*Damage caused by water and high humidity should be addressed prior to installing Aspecta multilayer modular flooring.*

- Examine the driveway, parking areas and landscaping surrounding the building. Be sure that they slope and direct water away from the foundation.
- Inspect gutters, down spouts and drains for blockage. Remove clogs caused by leaves, dirt and debris, allowing runoff to flow freely away from the foundation.
- Check crawl spaces for cross-ventilation air vents equaling at least 1.5% per 100 square feet (9.3 square meters) of floor space. Crawl spaces should measure a minimum of 18 inches (46.0 cm) high and should be insulated according to the latest building code requirements. The ground should be covered with a minimum 6-mil vapor barrier.

### INTERIOR

*Jobsite moisture issues must be addressed and corrected prior to installation.*

- Examine the installation site for leaky plumbing, including leaks from water heaters, wet bars, soda fountains, or any other water-bearing fixtures or pipes.
- Inspect substrates for levelness. They must be clean, smooth, dry, structurally sound, and flat within  $\frac{3}{16}$ " (5.0mm) within a 10-foot (3.0 meters) radius. The substrate should not slope more than 1 inch (25.0mm) per 6 feet (1.8 meters) in any direction.
- Aspecta requires testing of concrete substrates for moisture and pH before installing Aspecta multilayer modular flooring. Test results should not exceed 85% relative humidity (RH). The Calcium Chloride Test for moisture should be no more than 8 lbs per one-thousand square feet in 24 hours MVER (Moisture Vapor Emission Rating), and pH tests for alkalinity levels should register between 7 and 9.
- Aspecta requires testing of wood substrates for moisture. Obvious signs of moisture issues include warping, peaking, degradation of the integrity of the substrate, rusted fasteners, and rusted floor registers. Even if obvious signs are not present, the material should be tested using a professional moisture meter; moisture levels should not exceed 14%.

**ATTENTION:** Mold and mildew grow only in the presence of moisture. Jobsite moisture issues must be addressed and corrected prior to installation. Please visit [www.epa.gov/mold](http://www.epa.gov/mold) for information about safely preventing and removing mold, mildew and other biological pollutants.

## IDENTIFY YOUR SUBSTRATE

---

### APPROVED SUBSTRATES

*Aspecta multilayer modular flooring is suitable for use over a wide variety of substrates.*

#### CONCRETE

Aspecta multilayer modular flooring is waterproof, but jobsite moisture issues must be corrected before installation begins to prevent serious damage to the substrate and surrounding structure, and to discourage the growth of mold and mildew. Concrete substrates should be prepared in accordance to the most current version of ASTM F710 (Standard Practice for Preparing Concrete Floors to Receive Resilient Flooring). Concrete substrates must be clean, smooth, dry, structurally sound, and flat within  $\frac{3}{16}$ " (5.0mm) within a 10-foot (3.0 meter) radius. The substrate should not slope more than 1 inch (25.0mm) per 6 feet (1.8 meters) in any direction. Moisture and alkalinity tests should be performed on all concrete substrates regardless of grade level or age of slab. Perform either ASTM F2170 In-Situ Relative Humidity (RH) test or ASTM F1869 Calcium Chloride Moisture Test (MVER: Moisture Vapor Emission Rating). Perform pH test per ASTM F710 to determine alkalinity of the slab. RH Test results should not exceed 85% relative humidity. The Calcium Chloride Test for moisture should measure no more than 8lbs per one-thousand square feet in 24 hours MVER, and pH tests for alkalinity levels should register between 7 and 9. Electronic meter testing is not considered a replacement for a Calcium Chloride Test or Relative Humidity Test. All moisture tests should be conducted prior to installation to ensure that moisture is at recommended levels. Follow current ASTM F710 guidelines. Aspecta highly recommends that substrate moisture and pH testing are conducted by an ICRI (International Concrete Repair Institute) tier 2 certified technician.

#### RADIANT HEAT

Radiant heating systems must be cast  $\frac{1}{2}$ -inch (12.7mm) below the surface of the concrete slab, and should be operating at least 2 weeks before installing Aspecta multilayer modular flooring. Set the temperature of the radiant heating system to 68°F (20°C) 48 hours before, during, and 72 hours after installation. The temperature of the radiant heat floor may be increased gradually 72 hours after installation, but the surface temperature should never exceed 85°F (29°C). Contact the manufacturer of your radiant heating system for further recommendations.

#### PLYWOOD, OSB, PARTICLEBOARD & CHIPBOARD

Wood substrates must be A.P.A. approved with a minimum grade of "BB" or "CC". They must be clean, smooth, dry, structurally sound, and flat within  $\frac{3}{16}$ " (5.0mm) within a 10-foot (3.0 meters) radius. The substrate should not slope more than 1 inch (25.0mm) per 6 feet (1.8 meters) in any direction. Aspecta recommends performing moisture tests prior to installation to prevent serious damage to the substrate and surrounding structure, and to discourage the growth of mold and mildew. Moisture readings should never exceed 14% for plywood, OSB, particleboard and chipboard substrates. If moisture readings exceed 14%, it is advisable to correct moisture issues at the jobsite before installing



Aspecta multilayer modular flooring.

#### TILE, TERRAZZO, ASBESTOS TILE, RESILIENT TILE, NON-CUSHION SHEET VINYL, AND METAL

Existing floors must be firmly attached to the structural floor. In order to prevent vertical deflection (movement) and potential damage to the integrity of the Aspecta multilayer modular flooring, all substrates must be sturdy, sound, and flat within  $\frac{3}{16}$ " (5.0mm) within a 10-foot (3.0 meters) radius. The substrate should not slope more than 1 inch (25.0mm) per 6 feet (1.8 meters) in any direction. Fill in grout lines on ceramic tiles, terrazzo, quarry tiles and similar floors with cementitious patching compound.

### NON-APPROVED SUBSTRATES

*Remove the floors noted below and remove old adhesive before installing Aspecta multilayer modular flooring. Encapsulate adhesive and cutback residue.*

- Carpeting/Carpet Pad
- Cushion Back Sheet Vinyl
- Engineered Hardwood Over Concrete
- Floating Floors
- Hardwood Over Concrete
- Parquet Over Concrete
- Sleeper Substrates

**NOTE:** Various Federal, State and Local government agencies have established regulations governing the removal of in-place asbestos-containing material. If you contemplate the removal of a resilient floor covering structure that contains (or is presumed to contain) asbestos, you must review and comply with all applicable regulations. Do not sand, dry sweep, dry scrape, drill, saw, bead blast, or mechanically chip or pulverize existing resilient flooring, backing, lining felt, asphalt "cut-back" adhesive, or other adhesive. These products may contain asbestos fibers and/or crystalline silica. Avoid creating dust. Inhalation of such dust is a cancer and respiratory tract hazard. Smoking by individuals exposed to asbestos fibers greatly increases the risk of bodily harm. Unless positively certain that the product is a non-asbestos containing material, you must presume it contains asbestos. Regulations may require that the material be tested to determine asbestos content. The RFCI's Recommended Work Practices for Removal of Resilient Floor Covering are a defined set of instructions addressed to the task of removing all resilient floor covering structures. For further information, visit the Resilient Floor Covering Institute website at [www.rfci.com](http://www.rfci.com)

### PREPARE THE JOB SITE

*Careful preparation is the key to outstanding results. All Trades Must Finish Before Installing Aspecta multilayer modular flooring.*

- **Install Permanent Exterior Doors and Windows**
- **Turn on HVAC at Least One Week Prior to Installation** - Room temperature should be maintained between 50°F - 100°F (10°C - 38°C) at least 48 hours prior to installation.

- **Allow all other Trades to Finish**
- **Perform Recommended Moisture and pH Tests** - See the "Identify Your Substrate" section of this manual (pages 3-4) for further information about suggested tests.
- **Qualify and Prepare the Substrate** - All substrates must meet all minimum standard building codes. Fill large cracks and voids with cementitious patching compound. In order to prevent vertical deflection (movement) and potential damage to the integrity of the Aspecta flooring, all substrates must be clean, smooth, dry, structurally sound, and flat within  $\frac{3}{16}$ " (5.0mm) within a 10-foot (3.0 meters) radius. The substrate should not slope more than 1 inch (25.0mm) per 6 feet (1.8 meters) in any direction.
- **Remove Wall Base Moldings** - Remove wall base moldings prior to installation. Leave appropriate expansion space between the edge of the flooring and walls or vertical surfaces.
- **Fill Grout Lines** - Fill grout joints when installing over existing ceramic tile or stone floors to obtain a smooth surface. Follow Substrate Flatness Tolerances per chart on page 5.
- **Remove Non-approved Substrates**
- **Remove or Encapsulate Old Adhesive** - Old adhesives must be scraped up and left so that no ridges or puddles are evident and all that remains is a thin, smooth film. Then, encapsulate residue.
- **Undercut Wood Door Casings** - Wood door casings should be undercut so that Aspecta flooring will fit neatly beneath them, concealing the expansion space.
- **Cut Around Metal Door Casings** - Do not cut metal door casings. Cut Aspecta flooring around them, leaving the appropriate expansion space. After installation, fill the space with a coordinating premium waterproof 100% silicone sealant.
- **Clean Up the Job Site** - Remove all debris, sweep and vacuum the substrate. Smooth, non-porous floors should be damp-mopped after vacuuming and allowed to dry thoroughly before installing Aspecta multilayer modular flooring. All dust must be removed prior to installation.

### CHECK RUN NUMBERS AND MANUFACTURE DATE

Locate the run number on the short end of each carton and verify that all of the material for your job is from the same run. Minor shade variations within the same run number contribute to the natural look of Aspect flooring. To avoid noticeable shade variations, do not install material from different runs across large expanses.

To determine manufacture date, locate the run number on the short end of the carton. It is the eight-digit number separated by decimal points. Examples:

**Run Number/Manufacture Date**  
29.10.2018  
DAY.MONTH.YEAR

**Run Number/Manufacture Date**  
2018.29.10  
YEAR.DAY.MONTH



## KEY INSTALLATION CONSIDERATIONS

<b>Substrate Flatness Tolerances</b>	3/16" (5.0mm) in 10' (3.0 meters) Slope no more than 1" (25.0mm) in 6' (1.8 meters)
<b>Vapor Barrier (6 mil polyfilm)</b>	Not Required
<b>Is underlayment (pad) required</b>	No - Aspecta multilayer modular flooring includes an integral pre-attached pad
<b>Acclimation Requirements</b>	48 hours*
<b>Transition Requirements (T-Mold) for Large Spaces</b>	Required in rooms greater than 100' (30.5 meters) in either direction
<b>Transition Requirements (T-Mold) Doorways/Thresholds</b>	Required
<b>Installation Over Existing Ceramic Tile Floor</b>	Filling grout lines required, follow Substrate Flatness Tolerances
<b>Glue Down Installation</b>	Not Required/Not Recommended
<b>Substrate RH/MVER Recommendations</b>	85% RH/8 lbs MVER
<b>Radiant Heat</b>	Approved - Substrate surface temp. not to exceed 85°F (29°C)
<b>3-Season/Non-Climate Controlled Environments</b>	Not Recommended
<b>Perimeter Expansion Requirements</b>	3/8" (9.5mm) around perimeter walls, pipes, & heavy fixed objects such as cabinetry**
<b>Allowable Interior Environmental Conditions</b>	50°F - 100°F (10°C - 38°C) / 40% - 60% RH
<b>Definition of "Waterproof"</b>	Structural integrity of flooring will not degrade due to contact with moisture/water***

\*While Aspecta multilayer modular flooring is more dimensionally stable than typical floating wood or vinyl based flooring products, acclimation is still required. Aspecta multilayer modular flooring subjected to extreme hot or cold conditions can cause the material to become too flexible or rigid, making the material difficult to install and potentially causing damage to the locking system. Optimum material and building temperature range for installation is 50°F - 100°F (10°C - 38°C).

\*\*If installing Aspecta multilayer modular flooring in an environment that has a length greater than 100' (30.5 meters), a T-Molding should be utilized to separate the floor into two (2) separate sections.

\*\*\*Although Aspecta multilayer modular flooring is waterproof, it is not intended for use as a moisture mitigation system.

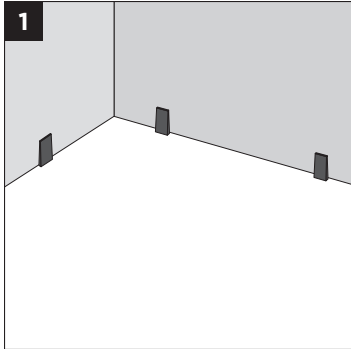
**WARNING:** Only installation techniques described in this installation manual are warranted. Aspecta does not warrant Aspecta multilayer modular flooring installations involving custom cutting, such as 45-degree mitered corners and serpentine edges. Please refer to the product warranty for complete warranty details and exclusions.

# INSTALLATION FOR ASPECTA CONTOURS TARASCON (BASKETWEAVE) MULTILAYER MODULAR FLOORING WITH DROPLOCK100

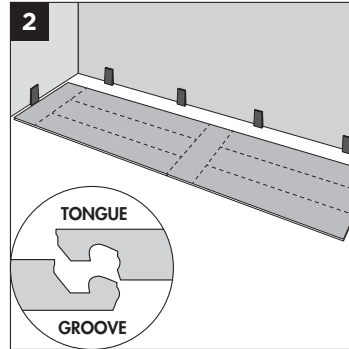


**ASPECTA**  
CONTOURS  
Featuring **ISOCORE** Technology™

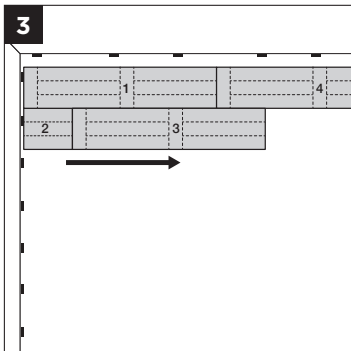
Installation will move from left to right beginning in the left corner with tongue side of long edge facing the wall.



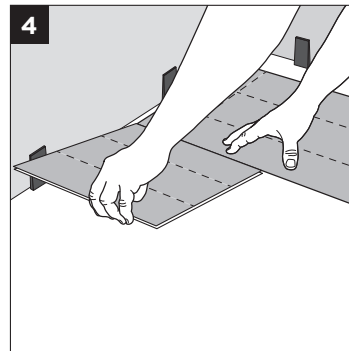
**1 SET SPACERS**  
Create the required expansion space between the perimeter planks and the wall using spacers. Place spacers equaling the thickness of the required expansion between plank and wall on short and long ends of plank. Do not remove the spacers until the installation is complete.



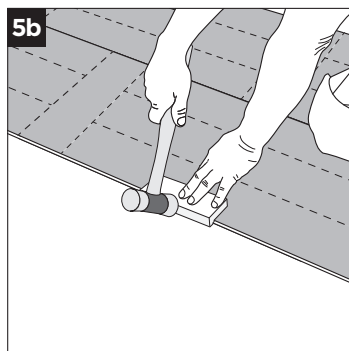
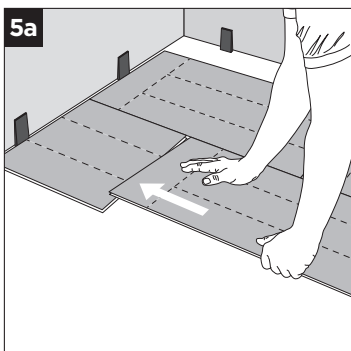
**2 INSTALL FIRST PLANK**  
Position the first plank against a spacer a few inches from the starting wall with the tongue side of the long edge facing the wall.



**3 ESTABLISH PROPER STAGGERING**  
Maintain an end-joint stagger equal to  $\frac{1}{4}$  the length of a full plank from row-to-row throughout the entire installation. The installation of the first two rows will continue: alternating back and forth between rows one and two, for the first two rows only.

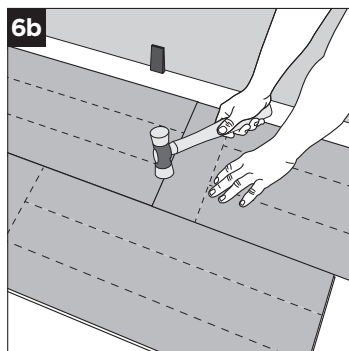
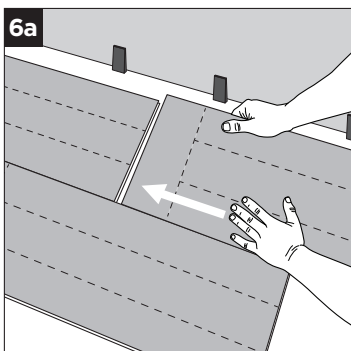


**4 FIRST PLANK, SECOND ROW**  
Cut the first plank in the second row to the length that creates a proper  $\frac{1}{4}$  plank stagger between rows. Insert the long tongue edge of the plank into the long groove edge of the first plank. Make sure there are no gaps. Tap along the long groove edge using the Prevail Tapping Block to protect groove edge.



## SECOND PLANK, SECOND ROW

Insert the long side, positioning the plank, so the short tongue touches the short groove edge on the first plank of the second row. Engage the joint by tapping the long edge of the plank using the Prevail Tapping Block and tap the short joint with a lightweight soft-faced hammer.



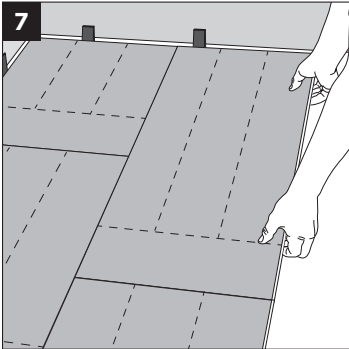
## SECOND PLANK, FIRST ROW

Select a full plank and position the long groove edge into the tongue of the second plank in the second row. Engage, tap and press as before. Repeat the same installation pattern until you reach the opposite wall and cannot install another full plank.

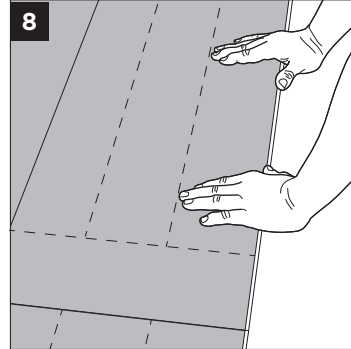
# INSTALLATION FOR ASPECTA CONTOURS TARASCON (BASKETWEAVE) MULTILAYER MODULAR FLOORING WITH DROPLock100



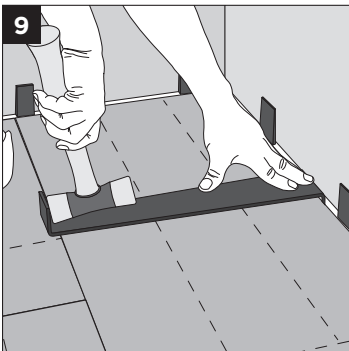
**ASPECTA**  
CONTOURS  
Featuring **ISOCORE** Technology™



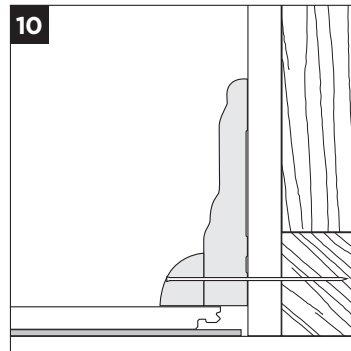
**7** **INSTALL THE LAST  
PIECES OF ROWS 1 & 2**  
Cut to fit, maintaining the expansion  
gap. Install as before. Move the  
entire assembly against the spacers  
on the starting wall.



**8** **INSTALL REMAINING  
ROWS**  
Install the remaining material, one  
row after the other. Always engage  
long side joints with tapping block  
before tapping down short joint  
using soft faced hammer. Maintain  
the required stagger throughout the  
install.



**9** **INSTALL THE LAST ROW**  
Cut the final row of planks to fit  
along the wall. Use a pull bar to lock  
the long edges together. Do not use  
the pull bar on the short edges.



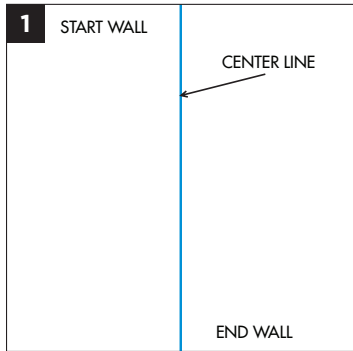
**10** **FINISH THE JOB**  
Remove spacers. Cover expansion  
space with quarter round or other  
trim, being sure not to trap or pin  
down the floor.

# INSTALLATION FOR ASPECTA CONTOURS CHANTILLY (WHALEBONE) MULTILAYER MODULAR FLOORING WITH DROBLOCK400



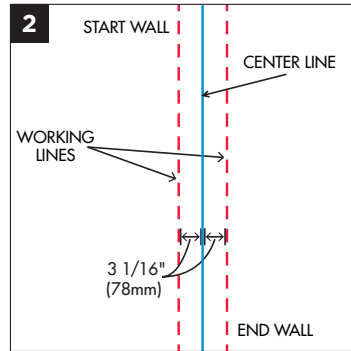
**ASPECTA**  
CONTOURS  
Featuring **ISOCORE** Technology™

Installation will begin in the center of the room against your starting wall and work outwards.



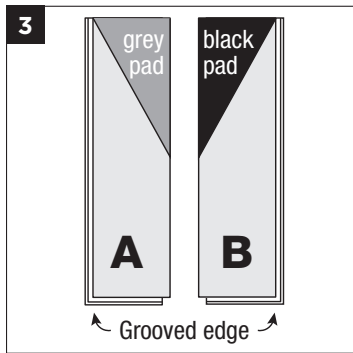
## 1 DETERMINE ROOM LAYOUT

Measure and mark the center of the room on both the starting and ending wall. Snap a chalk line connecting the marks. This is your center line.



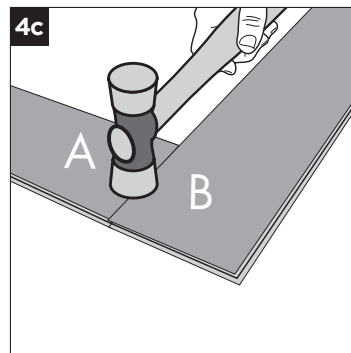
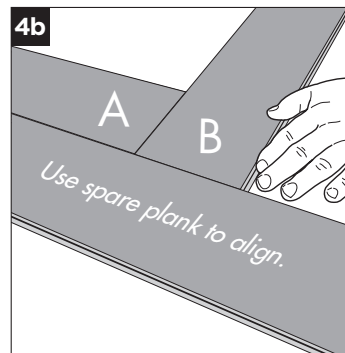
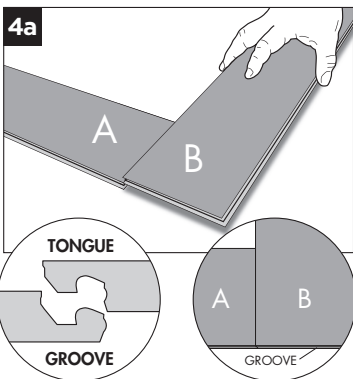
## 2 SET WORKING LINES

From the center line, measure  $3 \frac{1}{16}$ " (78mm) to the left and to the right and mark along the line. Snap a chalk line connecting the marks down the entire length of the room. These are your working lines.



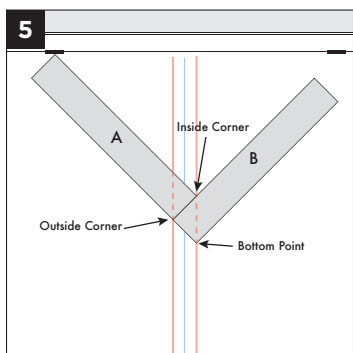
## 3 PREPARE FOR INSTALLATION

Aspecta Contours Chantilly comes with A and B planks for installation. Separate out A & B Planks from 3-4 cartons at one time to ensure a mix of pattern and shade for best results. A planks have a grey pad and B planks have a black pad.



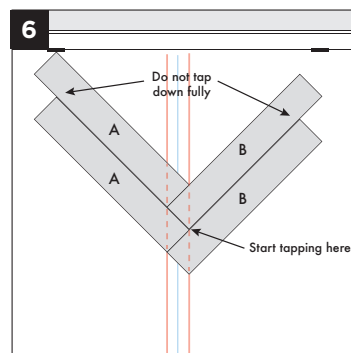
## 4 SET STARTING V

Working a few feet from the starting wall, set your starting V. Position the long side of the first B plank over the short side of the first A plank, align the edge using the tongue of a spare or scrap plank. It is important for precise alignment of edges for a good, square installation. Tap the top of the B plank using a soft-faced hammer to fully lock the planks together.



## 5 STARTING FIRST COLUMN

Slide your V up to the starting wall, making sure you are aligned on your working lines. The inside corner of your V as well as the bottom point of the plank should be on the right working line. The outside corner or joint should be aligned on your left working line. Place spacer between the wall and Plank A. Notice that plank A is the only plank that is against the wall - this is normal.



## 6 CONTINUE FIRST COLUMN

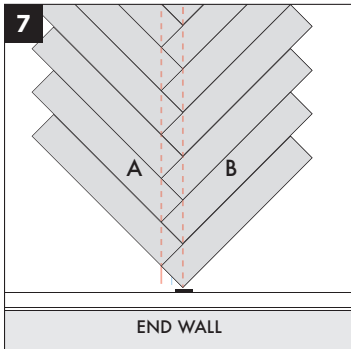
Continue to install A & B planks, one after the other, until you complete the first column of your room. Continue to use your scrap plank to keep alignment. It is important when installing to start tapping down where the A and B planks cross, tapping your way out. Do not tap down the last 2 inches of the long sides. This will be tapped down when installing the next columns. Make sure you continue to keep your column straight on your working lines. Adjust as necessary.



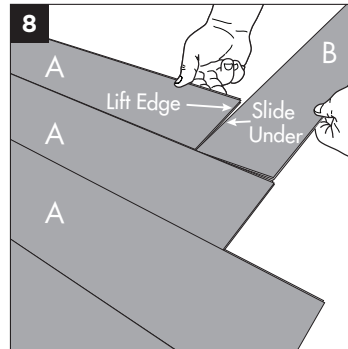
# INSTALLATION FOR ASPECTA CONTOURS CHANTILLY (WHALEBONE) MULTILAYER MODULAR FLOORING WITH DROPLOCK400



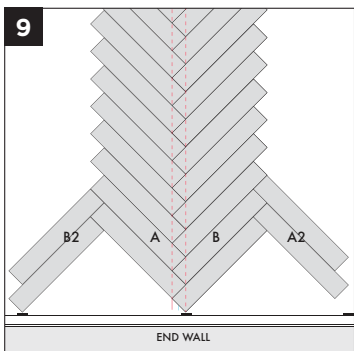
**ASPECTA**  
CONTOURS  
Featuring **ISOCORE** Technology™



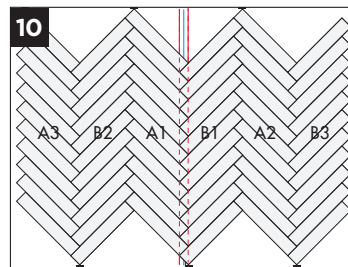
**7 FINISH FIRST COLUMN**  
When you cannot install anymore full planks, you are finished with the center column. You will install the cut planks at the end of the installation.



**8 CONNECT PLANKS TO LEFT AND RIGHT OF CENTER COLUMN**  
Starting with the last full planks installed, connect A planks to B planks by lifting the untapped edge and sliding the planks under. Make sure the tongue and groove are precisely aligned and tap down joints to lock. Remember, do not tap down the last two inches of the planks in your next columns.

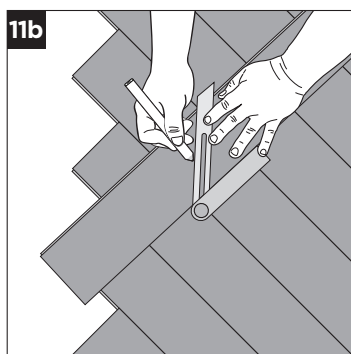
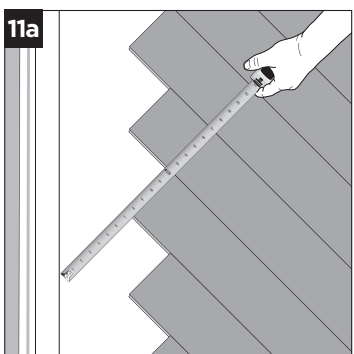


**9 CONNECT PLANKS TO LEFT AND RIGHT OF CENTER COLUMN**  
Continue the installation on both sides of the center column (connect A planks to B planks and B planks to A planks) working back towards the starting wall.



**10 INSTALL REMAINING COLUMNS**  
Continue forming columns back and forth until you reach the outside walls and cannot install anymore full planks. Make sure your pattern continues to stay straight on your center column working lines. Once final cut pieces are placed, you will not be able to adjust the installation.

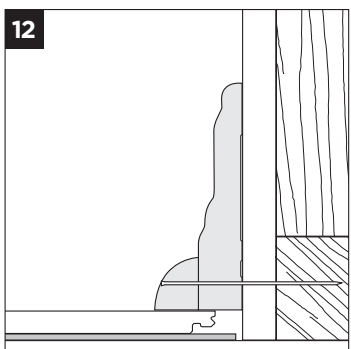
*Note: If you need to remove a plank for whatever reason, gently push down on the plank with the groove while lifting the plank with the tongue. Be careful not to damage the tongue and groove. Tap down lightly on the plank with the groove if necessary. your next columns.*



**11a 11b CONNECT PLANKS TO LEFT AND RIGHT OF CENTER COLUMN**

Measure, mark, and cut final planks to fit to the wall leaving the required 1/4" (6mm) expansion space. A T-Bevel can be used to find the correct angle. When fitting small cut pieces, a scant bead of Prevail 30GS can be applied to the groove to make sure product stays in place.

*Note: Do not discard planks cut on angles. They may be used in other areas of the installation if layout per-mits. Stack in accordance of A and B planks.*



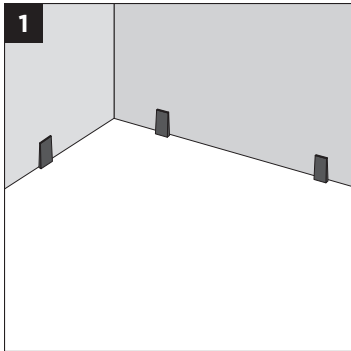
**12 FINISH THE JOB**  
Remove spacers. Cover expansion space with quarter round or other trim, being sure not to trap or pin down the floor.

# INSTALLATION FOR ASPECTA CONTOURS VERSAILLES (CHEVRON PLANK) MULTILAYER MODULAR FLOORING WITH DROPLOCK100



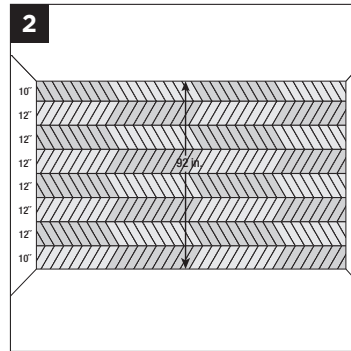
**ASPECTA**  
CONTOURS  
Featuring **ISOCORE** Technology™

Installation will move from left to right beginning in the left corner with tongue side of long edge facing the wall.



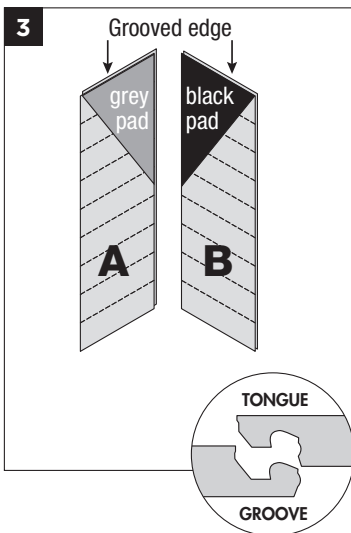
## 1 SET SPACERS

Create the required expansion space between the perimeter planks and the wall using spacers. Place spacers equaling the thickness of the required expansion between plank and wall on short and long ends of plank. Do not remove the spacers until the installation is complete.



## 2 BALANCE THE LAYOUT OF THE ROOM

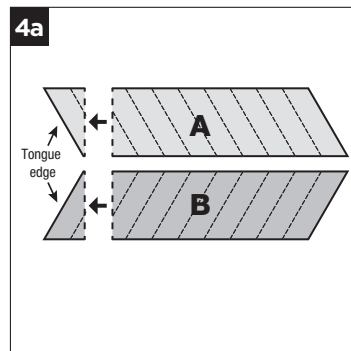
Identify the direction the chevron planks are to be installed lengthwise. Divide the width of the room by the width of one plank (12"). This gives you the number of rows of planks. If one row is less than a full plank (12"), you may need to trim the first and last row to balance out the room.



## 3 PREPARE FOR INSTALLATION

There are "A" Planks (with a pre-attached grey padding) and "B" planks (with a pre-attached black padding). Separate the A and B planks from the carton. Continually blend the planks from 3 to 4 cartons at one time to ensure a mix of pattern and shade.

The starting planks should have the angled edge trimmed off and be cut to the appropriate size so the pieces on all sides of the room have a balanced appearance.

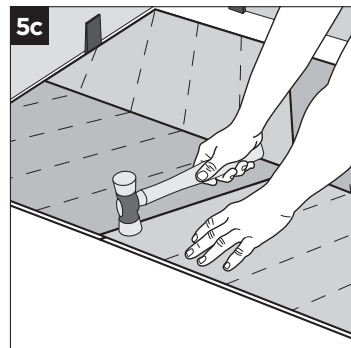
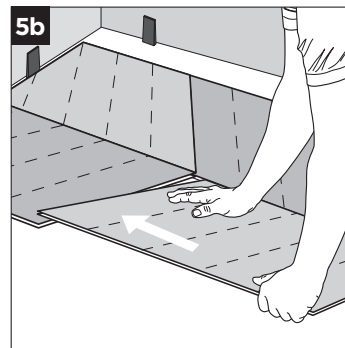
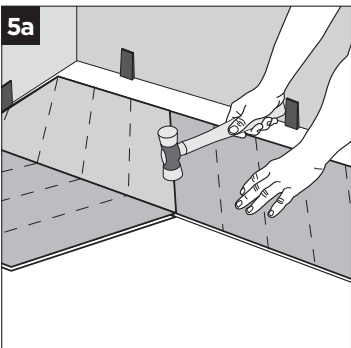
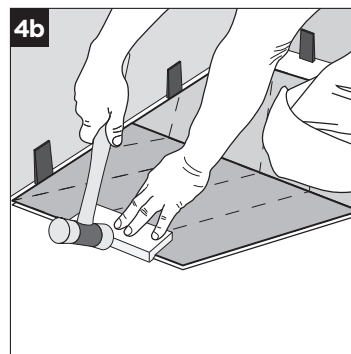


## 4a INSTALL THE FIRST TWO PLANKS

Starting in the left corner of the room, take a full "A" and "B" plank and remove the angle from the tongue edge of both planks (Figure 4A). Position the "A" plank with long tongue edge against the spacers previously placed along the starting wall (Figure 4B). Interlock plank "B" by inserting the tongue into the groove of plank "A".

Pay close attention when lining up the Chevron pattern alignment (point to point). Make sure there are no gaps and the points line up perfectly. Tap along the long-groove edge using a profiled tapping block and soft-faced hammer to ensure the joint is closed fully (Figure 4B).

*NOTE: Always square long side joints BEFORE tapping down short joints.*



## 5a CONTINUE INSTALLING FIRST TWO ROWS

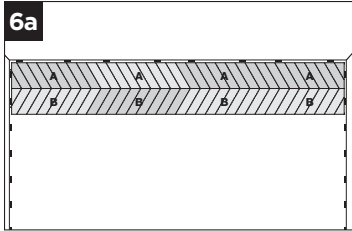
Take another "A" plank and align the short tongue side onto the groove of the first "A" plank. Points must be properly aligned. Tap on the top of the joint using a soft-faced hammer to fully lock the planks together (Figure 5A).

Select a full "B" plank and position the long tongue into the groove of the second plank in the first row. Drop and lock the end joints together (Figure 5B). Repeat the same installation pattern until you reach the opposite wall and cannot install another full plank (Figure 5C).

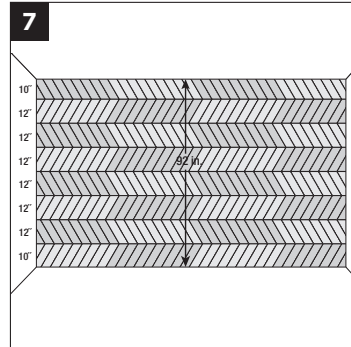
# INSTALLATION FOR ASPECTA CONTOURS VERSAILLES (CHEVRON PLANK) MULTILAYER MODULAR FLOORING WITH DROPLock100



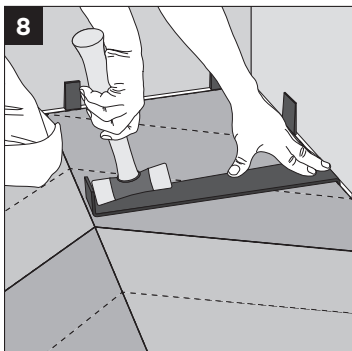
**ASPECTA**  
CONTOURS  
Featuring **ISOCORE** Technology™



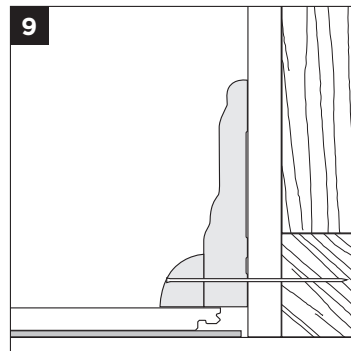
**6a**  
**INSTALL LAST TWO  
PIECES OF ROW 1 & 2**  
Install the last two pieces of rows 1 and 2 by cutting to fit. Maintain the expansion gap and install as before.



**7**  
**INSTALL REMAINING  
ROWS**  
Install the remaining material, in alternating rows of "A" and "B" planks. Drop and lock the end joints together and keep square throughout the install.



**8**  
**INSTALL THE LAST ROW**  
Cut the final row of planks to fit along the wall. Use a pull bar to lock the long edges together. Do not use the pull bar on the short edges.



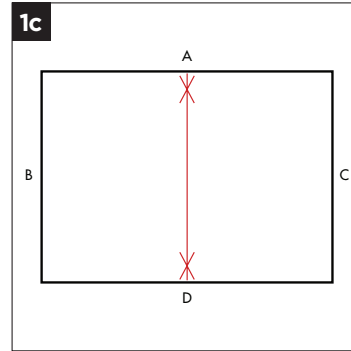
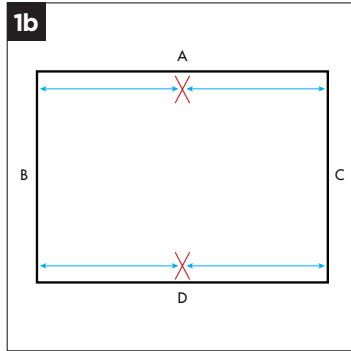
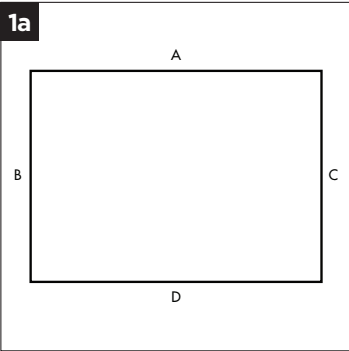
**9**  
**FINISH THE JOB**  
Remove spacers. Cover expansion space with quarter round or other trim, being sure not to trap or pin down the floor.

# INSTALLATION FOR ASPECTA CONTOURS CHAMBORD (CHEVRON SINGLE PLANK) MULTILAYER MODULAR FLOORING WITH DROBLOCK100



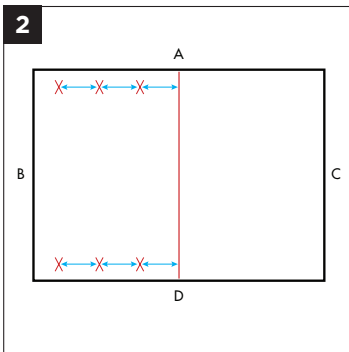
**ASPECTA**  
CONTOURS  
Featuring **ISOCORE** Technology™

Installation will move from left to right beginning in the left corner building columns and moving right.



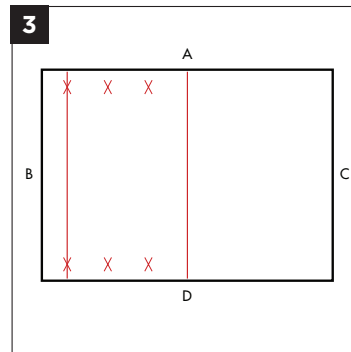
## DETERMINE ROOM LAYOUT

The project's layout should always be discussed and approved by the end-user. Define walls A, B, C, and D. (Step 1A) Measure and mark the center point of the room near wall A, and again near wall D. (Step 1B) Snap a chalk line connecting these two points. (Step 1C) This is the centerline of the room.



## DETERMINE THE POSITION OF THE COLUMNS

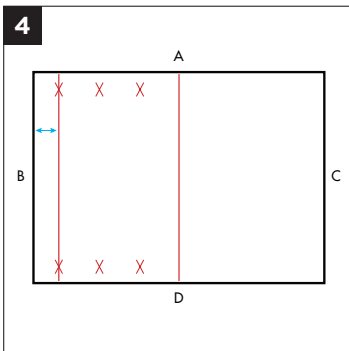
Begin at the center line near wall A, measure and mark in increments of 36-3/4" working toward wall B. Continue until no further increments can be marked. Repeat this process again near wall D.



## ESTABLISH THE STARTING LINE

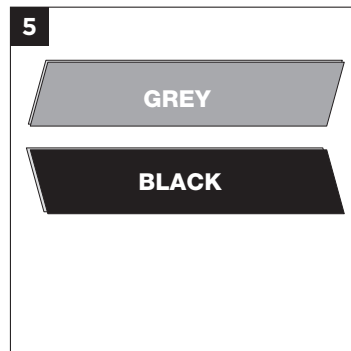
The final increment marks nearest wall B will be used to create the starting line. Snap a chalk line connecting the last two marks. This line will indicate the center of the first V column.

*Note: Aesthetically, if the width of the first column is too narrow the starting line may be offset toward the center line by 18-3/8".*



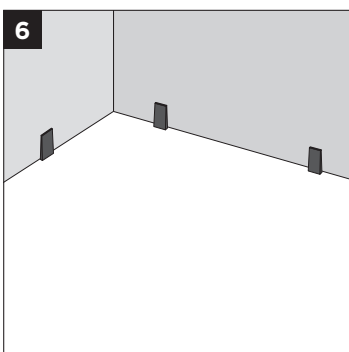
## MEASURE AND CUT THE STARTING COLUMN

Measure and cut the starting planks equal to the distance from the starting line to wall B, allowing for the 3/8" (10mm) spacers. A T-Bevel (angle finder) can be used to find and mark the correct angle. Always measure twice before cutting. The material can be carefully cut using a variety of tools including: flooring shear, jig saw, circular saw, and table saw (be certain to follow proper tool usage and safety procedures).



## SEPARATE THE PLANKS

The chevron pattern planks are composed of two different shapes (mirror-images). These shapes are made easy to distinguish. One has a black pad, the other a grey pad. Separate grey pad and black pad planks from 3 or more cartons and mix to ensure a blend of pattern and shade.



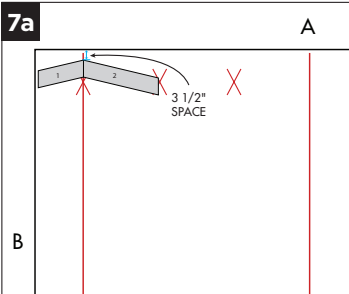
## ENSURE EXPANSION SPACE

Create the required expansion by placing 3/8" (10mm) spacers between the flooring assembly and the walls. Do not remove the spacers until the installation is complete.

# INSTALLATION FOR ASPECTA CONTOURS CHAMBORD (CHEVRON SINGLE PLANK) MULTILAYER MODULAR FLOORING WITH DROPLOCK100

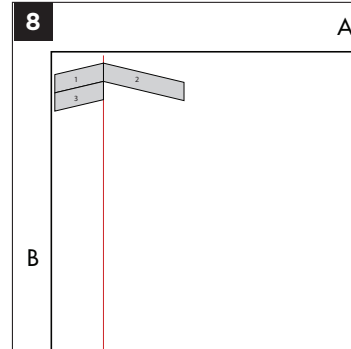


**ASPECTA**  
CONTOURS  
Featuring **ISOCORE** Technology™



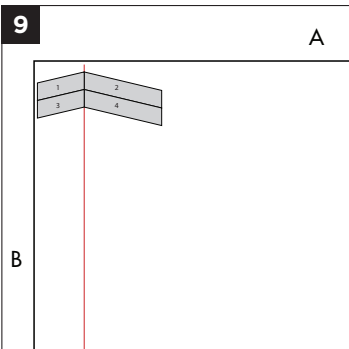
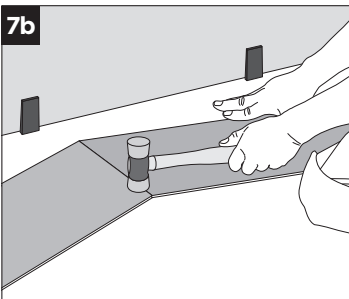
## 7a ASSEMBLE THE FIRST V COLUMN

Align the short edge of plank #1 to the starting chalk line. Begin assembling the first V column with the point of the column 3 1/2" inches away from wall A. Precisely align and overlap the end joints of plank #1 and plank #2. Gently tap the top plank using a soft-faced hammer to fully lock the joints together.



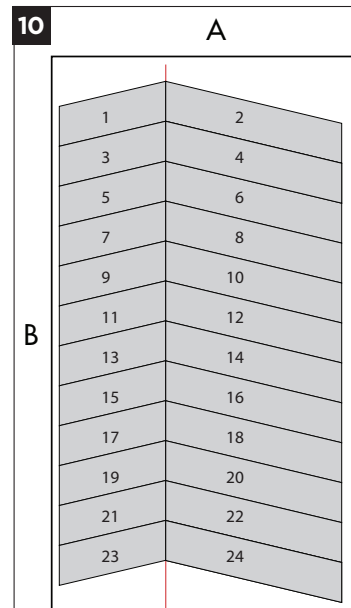
## 8 INSTALLATION OF PLANK 3

Cut the length of plank #3 for the second row. Insert the long tongue edge of the plank into the long groove of plank #1. Make sure there are no gaps. If necessary, carefully tap along the long groove edge of plank #3 using the prevail tapping block to close any gaps.



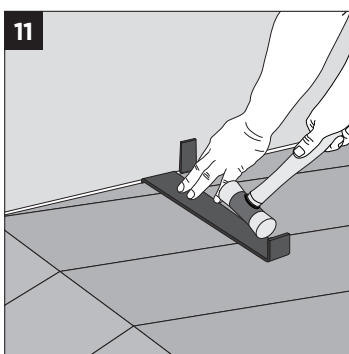
## 9 INSTALLATION OF PLANK 4

While aligning corners, insert the long tongue edge of plank #4 into the long groove edge of plank #2. Fully engage the long side joint by carefully tapping the edge using the prevail tapping block. Tap down the short joint with a lightweight soft-faced hammer.



## 10 MAINTAIN ALIGNMENT

Continue forming the V column. Ensure the center of the V column is always aligned with the starting line. Install planks and maintain joint alignment until no additional full pieces can be installed within the V column.



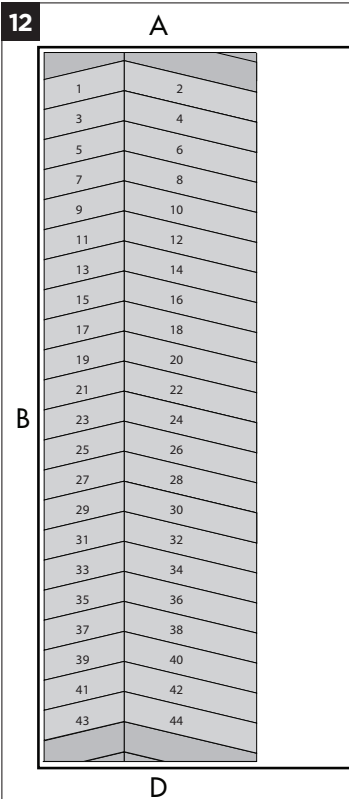
## 11 TRIM CUTS NEAR WALL 'A'

Measure, mark, and cut pieces near wall A. These cuts will be installed by positioning the long groove edges into the long tongue edges. If necessary, use a pull bar to lock the long edges together for the fill pieces at the walls. (Note - A pull bar should only be used against the cut edges and never against the plank edges/profiles.)

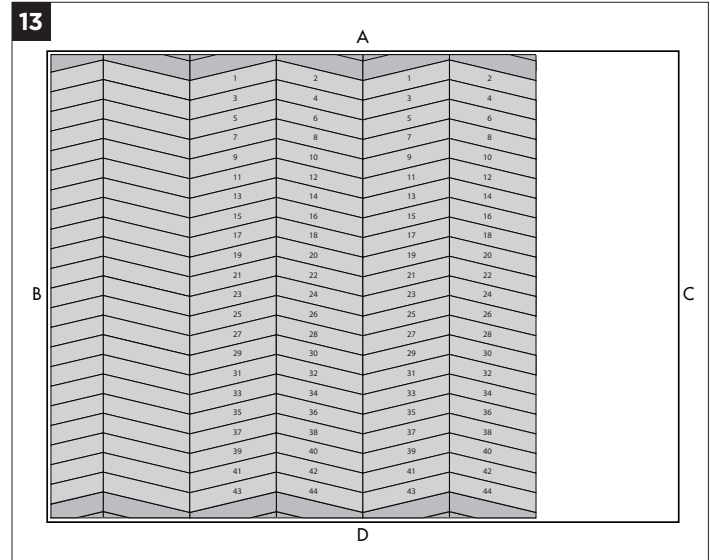
# INSTALLATION FOR ASPECTA CONTOURS **CHAMBORD** (CHEVRON SINGLE PLANK) MULTILAYER MODULAR FLOORING WITH **DROPLOCK100**



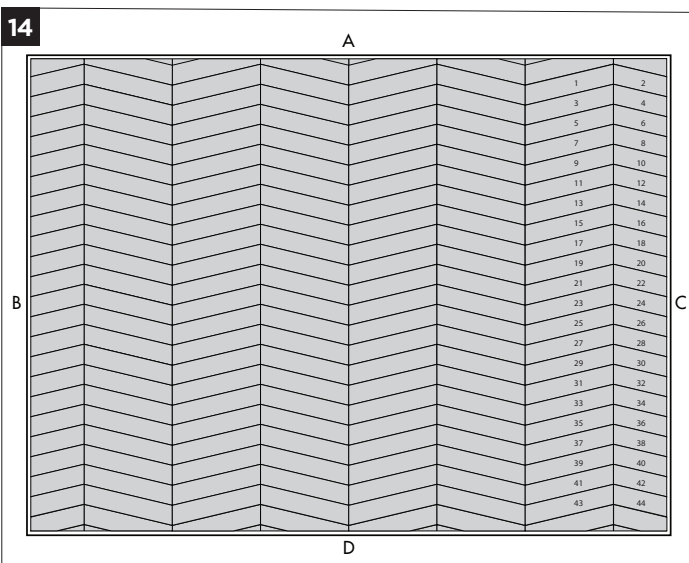
**ASPECTA**  
 CONTOURS  
 Featuring **ISOCORE** Technology™



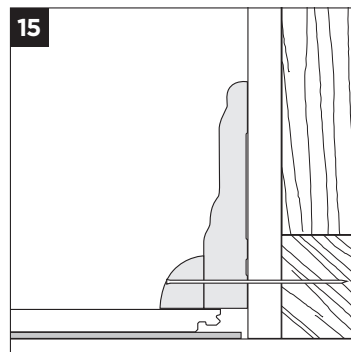
**12** TRIM CUTS NEAR WALL 'D'  
 Measure, mark, cut and install the fill pieces near wall D.



**13** SUBSEQUENT COLUMNS  
 Continue building the subsequent V columns using the same placement order. Install planks within the V Columns until no additional full pieces can be installed. Cut the fill pieces at walls A and D as needed.



**14** FINAL COLUMN  
 Build the final column using the same placement order, beginning near wall A and finishing near wall D. Measure, mark, and cut the fill pieces at walls C followed by cutting fill pieces at walls A and D.



**15** FINISH THE JOB  
 Remove spacers. Cover expansion space with quarter round or other trim, being sure not to trap or pin down the floor.



## GENERAL CARE & MAINTENANCE

### ROUTINE CARE & MAINTENANCE

- Sweep, dust mop or vacuum daily. Do not use vacuums with any type of beater bar assembly.
- Lightly damp mop with Prevail™ Neutral Cleaner. Remove excess soil by carefully scrubbing with a soft nylon brush or magic eraser sponge and Prevail Neutral Cleaner.
- Remove scuffs using Prevail Neutral Cleaner and a soft nylon brush or magic eraser sponge.
- Heavily soiled floors may require an occasional deep cleaning using Prevail Neutral Cleaner, spray bottle and a low-speed buffer not exceeding 175 RPM. Fit the buffer with a red or white scrubbing pad, spray the cleaner solution onto a manageable area of the floor and scrub. Remove the dirty residue by damp mopping with clear water. **Caution:** Do not flood the floor.
- Remove standing water, pet urine and other liquids promptly. Follow with Prevail 1-Step Neutral Cleaner or Prevail Ready to Use Neutral Cleaner.

**Notes: Stain Removal** - To remove stubborn spots and stains from Aspecta floors, always begin with mild cleaners, such as Prevail 1-Step Neutral Cleaner. If such cleaners fail to remove the spots and stains, and "if permitted," use mineral spirits. Do not use harsh solvents, such as lacquer thinner or straight acetone, as these can permanently soften and damage the vinyl surface.

For stubborn spots and stains (such as paints, permanent markers, and dyes), and "if permitted," try applying fingernail polish remover containing acetone (do not use straight acetone) to a soft cloth and rubbing across the affected areas. Subsequent to this cleaning procedure for stubborn spots and stains, please clean the affected area with clear water to remove any residue. Any damage resulting from the use of pure solvents IS NOT covered by the Aspecta Warranty. Always test stronger cleaning agents on sample pieces or in unnoticeable areas, first.

Never use a brush or pad more aggressive than a 3M red equivalent. Blue, Green, Brown and Black pads will damage the surface of the floor.

### PREVENTIVE CARE

- Use non-staining walk-off mats at all outside entrances.
- Use flat glides at least 2" (50mm) in diameter under furniture legs or free standing displays and fixtures to prevent indentations and scratches.
- Use broad surface non-staining casters at least 2" (50mm) in diameter on rolling fixtures or furniture.
- Do not use vinegar, polishes, waxes, oil soaps, abrasive cleaners, harsh detergents, "mop and shine" products or solvents.
- Do not expose to direct sunlight for prolonged periods.
- Do not use steam cleaners.
- Do not flood floor or subject to standing liquids, including pet urine.

